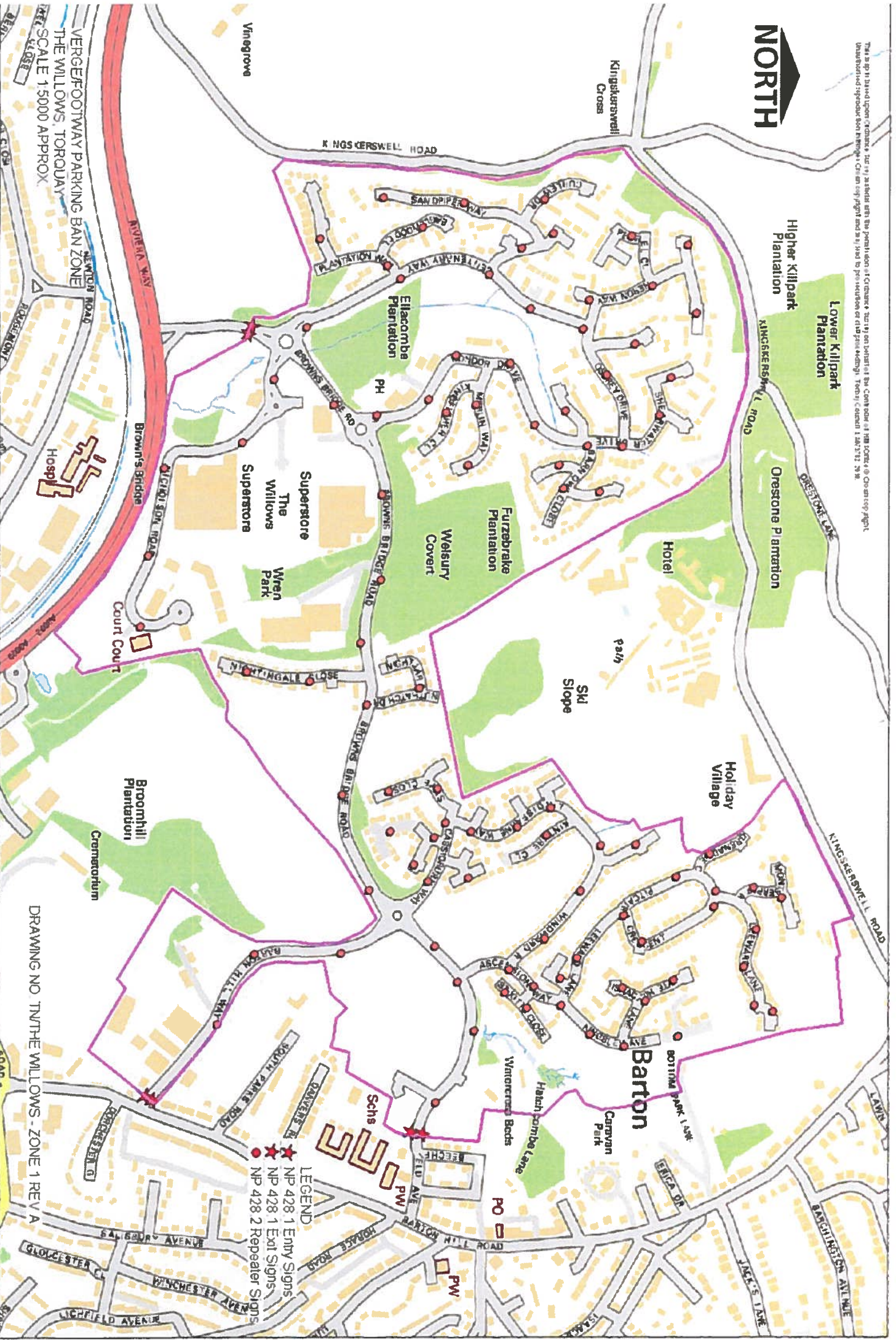


This map is based upon Ordnance Survey 1:25,000 scale data and is not intended to be used for navigation or other purposes. The copyright in this map is owned by Ordnance Survey and is used by permission of the copyright owner. Ordnance Survey 1:25,000 scale data is used by permission of the copyright owner.



Higher Killpark Plantation
Lower Killpark Plantation

Orestone Plantation

Holiday Village

Barton

Schs

- LEGEND**
- ★ NP 428 1 Entry Signs
 - ★ NP 428 1 Exit Signs
 - ★ NP 428 2 Repeater Signs

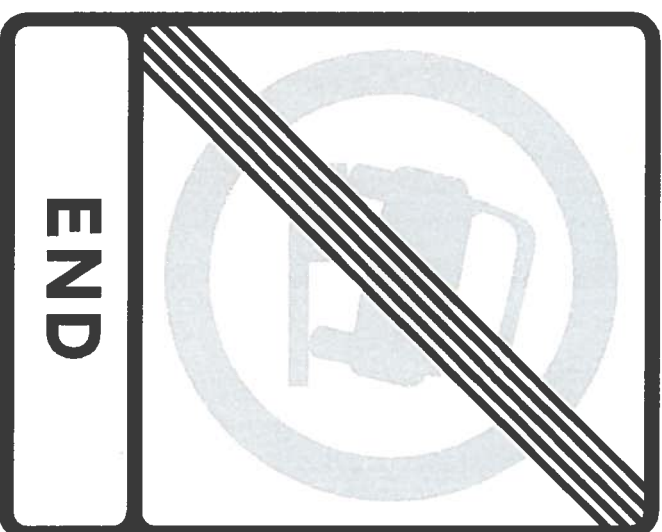
DRAWING NO TINTHE WILLOWS - ZONE 1 REVA

VERGE/FOOTWAY PARKING BAN ZONE
THE WILLOWS TOROUAY
SCALE 1:5000 APPROX

THE WILLOWS



**No parking
on footway
or verge**



END



HIGHWAYS MANAGEMENT
4th FLOOR, ROEBUCK HOUSE,
ABBAY ROAD,
TORQUAY
TQ2 5TF

Telephone 01803 377656
Fax 01803 307670

DRAWING TITLE

**Proposed Signage
The Willows - No Parking
on footway or verges**

No.

Date

Revisions

drawn **SG**

traced

checked

date

scale **1:10**

acad ref

drawing number

Drawing No.

Torbay 2

Related Drawing

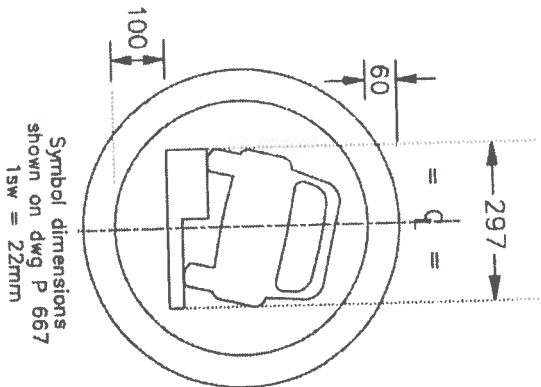
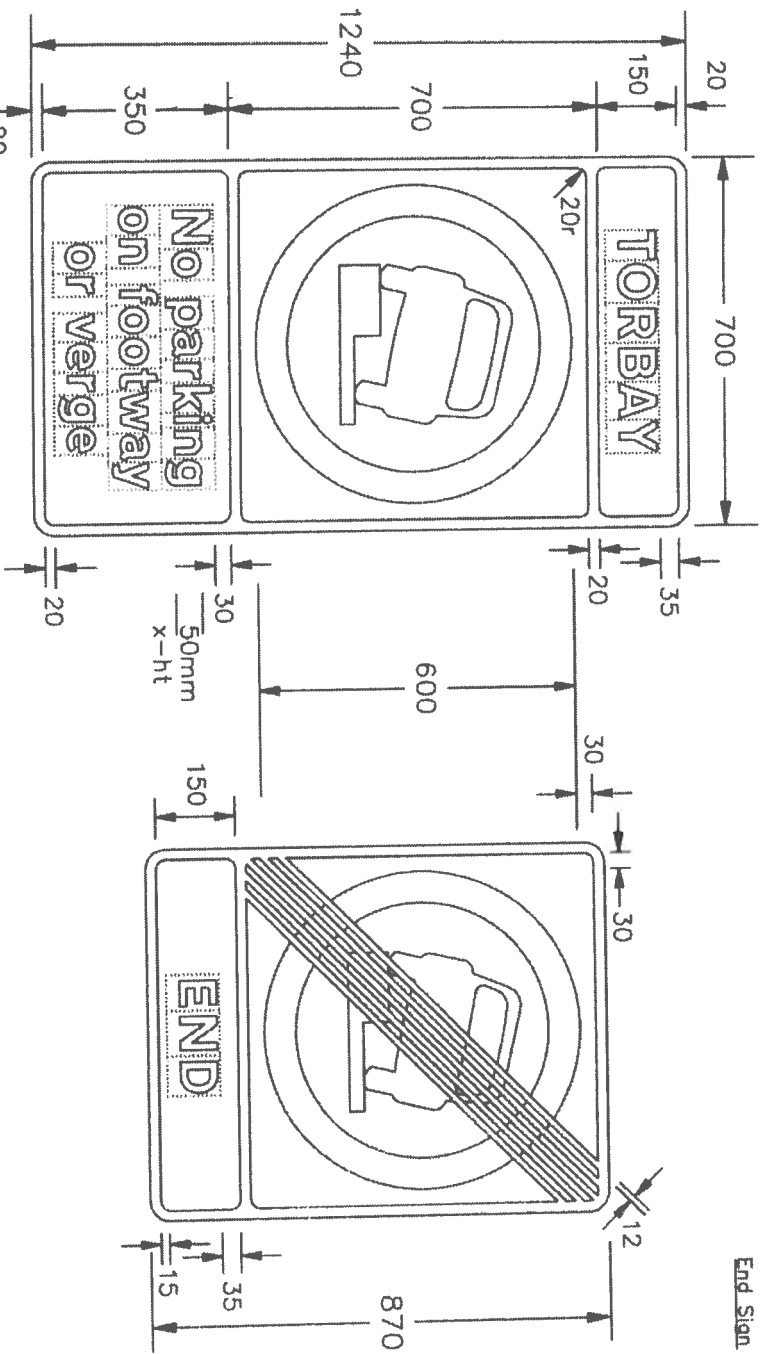
NP 428

© CROWN COPYRIGHT

- NOTES: 1. The legend is from the Transport Heavy Alphabet.
 2. The tile outlines do not form part of the signs.
 3. COLOURS : Backgrounds ----- WHITE

Start Sign
 Legend,
 Border & Symbol ----- BLACK
 Roundel ----- RED

End Sign
 Legend &
 Cancellation Bars ----- BLACK
 Roundel & Symbol ----- GREY



Symbol dimensions shown on dwg P 657
 1sw = 22mm

Torbay 2

Title:

Department for
Transport

Regulatory Signs

START AND END OF
FOOTWAY PARKING PROHIBITION

Dimensions:

MILLIMETRES

Drawing No.

Torbay 2

Before using this drawing, confirm that it has not been superseded.